



SHOWN HERE WITH MANUAL HAND PUMP OPTION

This power unit has a single acting circuit with two SAE#6 (9/16-18) ports for straight or 90° hose connection option. The 2 position/2 way cartridge has a manual override and internal check. This circuit design also utilize a cartridge check and adjustable relief valve. The magnetic two button remote control comes with holder and 6 meter of cable, which has a quick connection at the motor. The gear pump is equipped with a suction screen attach to a 90° elbow inside the tank which comes with a 3/4" NPT breather/dipstick.

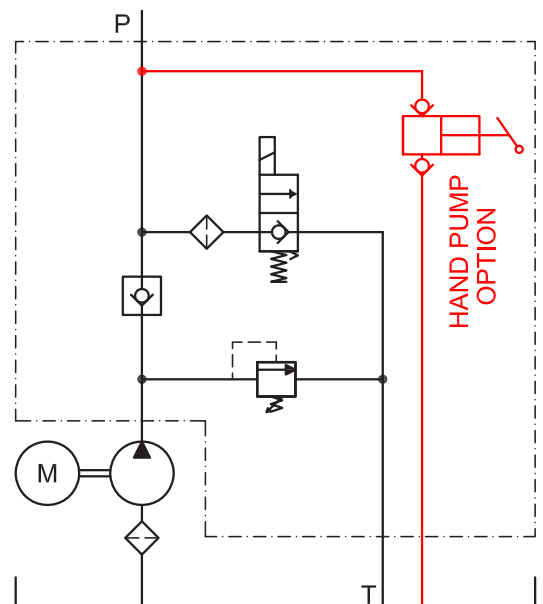
**OPTIONS:**

- ▶ **Motor:** DC 12 & 24v, or AC 115/230V, single phase or AC 230/460/575V three phase
- ▶ **Tank:** From 1.7 liters to 23.5 liters. Plastic or Steel
- ▶ **Pump:** 0.8, 1.0, 1.3, 1.6, 2.1, 2.5, 3.2, 4.2, 5.8 and 8.0cc
- ▶ **Mounting:** Vertical or Horizontal
- ▶ 10' remote control cable extension
- ▶ **10cc Manual Hand Pump:** Only 1 outlet port with this option

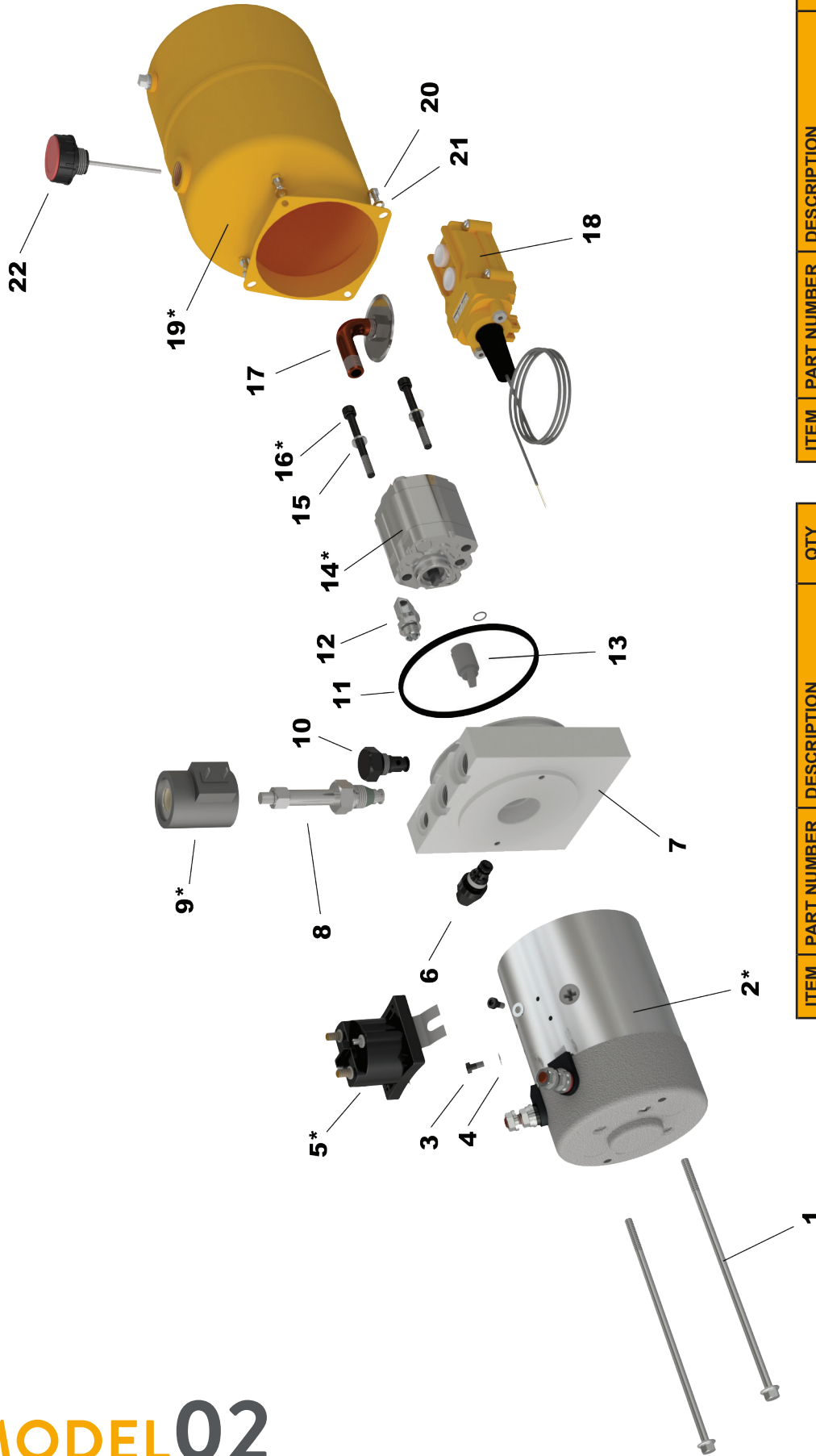


**TYPICAL APPLICATION:**

- ▶ Pressure Up / Gravity Down System
- ▶ Tailgate (with pressure comp. flow control)
- ▶ Dump Trailer
- ▶ Single Acting Telescopic Cylinders
- ▶ Scissor Lift
- ▶ Carlift



# EXPLODED VIEW



ITEM	PART NUMBER	DESCRIPTION	QTY
13	421000	Motor/Pump Coupler	1
14	400xxx*	Pump*	1
15	307080	Lockwasher (Pump Bolts)	2
16	301xxx*	Pump Bolts*	2
17	150012	Screen Filter Suction Elbow	1
18	630140	Remote Control	1
19	500xxx*	Tank*	1
20	300030	Tank Bolt	4
21	307050	Lockwasher (Tank Bolt)	4
22	520030	Breather	1

ITEM	PART NUMBER	DESCRIPTION	QTY
1	300060	Motor Bolts	2
2	600xxx*	Motor*	1
3	300010	Solenoid Bolt	2
4	307000	Solenoid Washer	2
5	640xxx*	Solenoid*	1
6	111000	Relief Valve	1
7	210020	Block	1
8	115200	Valve w/ manual override	1
9	641xxx*	Coil*	1
10	110100	Checkvalve	1
11	330100	Block O-Ring	1
12	310020	Block Elbow 90°	1

\* items such as motor, pump, pump bolts, coils, solenoid and tank have different ordering part numbers depending on option purchased originally. Always specify model number and serial number when ordering power unit parts

# MODEL 02

All product specifications are subject to change without prior notice.

WWW.EAGLE-HYDRAULIC.COM